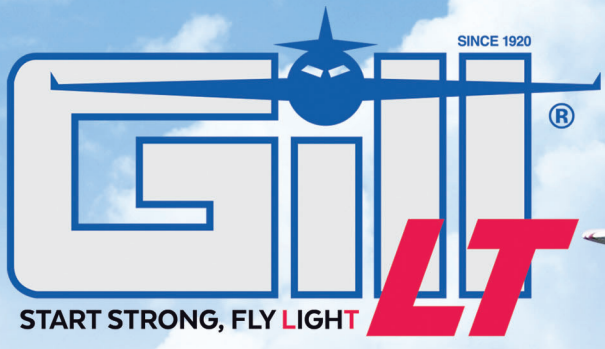


**EXTREME
CRANKING**

7035-28

Sealed Aircraft Battery, VRLA, LT Technology, 12V, 28Ah



SPECIFICATIONS			
Model	7035-28		
Nominal Voltage, V	12		
One Hour Capacity, C1, Ah	28		
30 Minute Emergency Rate, C/2, A	45		
Weight, Lb. Maximum	30.00		
Power Performance	23°C (75°F)	-18°C (0°F)	-30°C (-22°F)
I _{pp} , A	1599	1100	850
I _{pr} , A	1088	840	600



7035-28
AVAILABLE NOW,
AT DISTRIBUTORS

Upgrade to the Next Generation of Lead-Acid Technology!

- ✓ TSO Authorized
- ✓ DO-160E Tested
- ✓ Sealed, VRLA, Non-Spillable
- ✓ 18 Month/1800 Hour Capacity Check Inspection
- ✓ 2 Year Warranty
- ✓ FAA-PMA



TELEDYNE BATTERY PRODUCTS
Everywhere you look™

909.793.3131

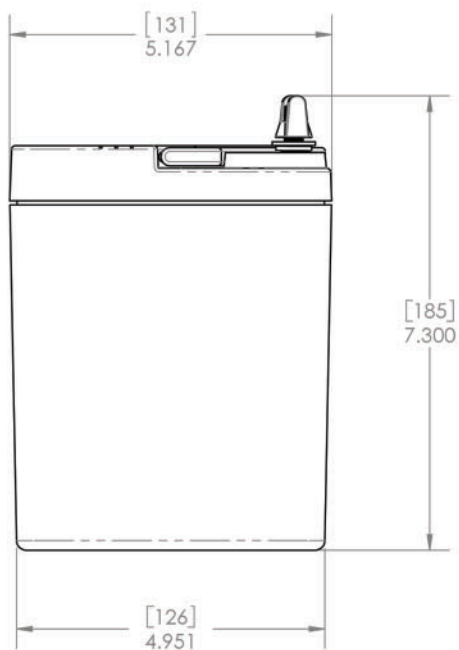
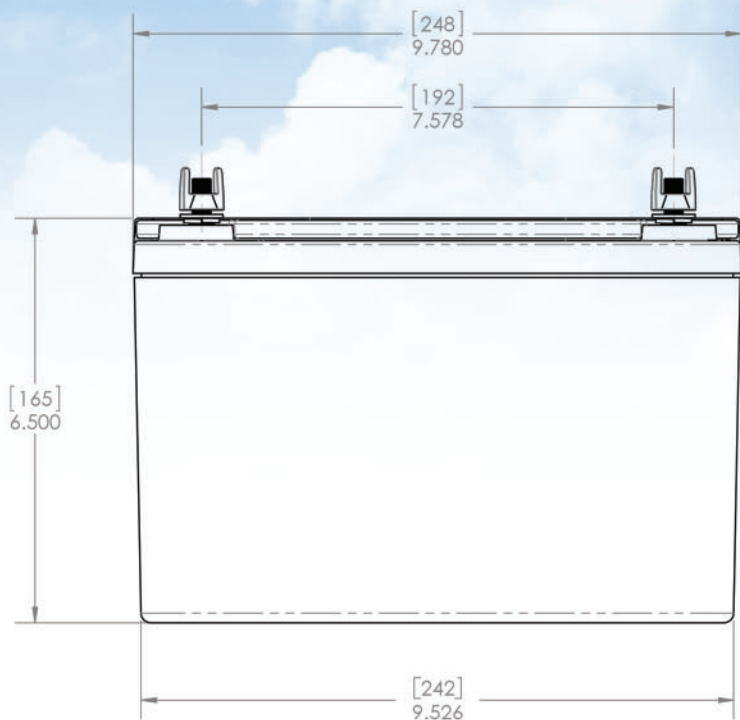
GILLBATTERIES.COM

Rev 2018/10/01

**EXTREME
CRANKING**

7035-28

AVAILABLE NOW AT DISTRIBUTORS



FAA-PMA

MAKE	MODEL
Alexandria	17-30, 17-30A, 17-31, 17-31A, 17-31TC, 17-31ATC
American Champion	7GCAA, 7GCBC, 7KCAB, 8KCAB
Cessna	177, 177A, 177B, 180A, 180B, 180C, 180D, 180E, 180F, 180G, 180H, 180J, 180K, 182A, 182B, 182C, 182D, 182E, 182F, 182G, 182H, 182J, 182K, 182L, 182M, 182N, 182P, 182Q, 185, 185A, 185B, 185C, 185D, 185E, A185E, A185F, A188A, A188B, 190, 195, 195A, 195B, 206, P206, P206A, P206B, P206C, P206D, P206E, U206, U206A, U206B, U206C, U206D, U206E, U206F, U206G, 207, 207A, T207, T207A, 210, 210B, 210C, 210D, 210E, 210F, 210G, 210H, 210J, 210K, T210F, T210G, T210H, T210J, T210K, T210L, T210M, T210N, T210R
CPAC, Inc.	112, 112B, 112TC, 112TCA, 114, 114A
Globe	GC-1A, GC-1B
Hawker Beechcraft	19A, B19, M19A, 23, A23, A23A, A23-19, A23-24, B23, C23, A24, A24R, B24R, C24R, E33, E33A, F33, F33A, F33C, G33, 35, 35-33, 35-A33, 35-B33, 35-C33, 35-C33A, A35, B35, C35, D35, E35, F35, G35, H35, J35, K35, M35, N35, P35, S35, V35, V35A, V35B, 36, A36, A36TC, B36TC, G36, 76
Maule	M-4-180V, M-5-180C, M-5-235C, M-6-180, M-6-235, M-7-235, M-7-235A, M-7-235B, M-7-235C, MT-7-260, M-7-260, M-7-260C, M-8-235, MT-7-235, MX-7-160, MX-7-160C, MX-7-180, MX-7-180A, MX-7-180B, MX-7-180C, MX-7-180AC, MXT-7-160, MXT-7-180, MXT-7-180A
Mooney	M20, M20A, M20B, M20C, M20D, M20E, M20F, M20G, M20J, M20K
Piper	PA-18, PA-18A, PA-18S, PA-18S-125, PA-18A-35, PA-18S-135, PA-18-150, PA-18A-150, PA-20, PA-20S, PA-20-115, PA-20S-115, PA-20-135, PA-20S-135, PA-22, PA-22-108, PA-22-135, PA-22S-135, PA-22-150, PA-22S-150, PA-22-160, PA-22S-160, PA-23, PA-23-160, PA-23-235, PA-23-250, PA-24, PA-24-250, PA-24-260, PA-24-400, PA-28-140, PA-28-150, PA-28-151, PA-28-160, PA-28-161, PA-28-180, PA-28-181, PA-28-201T, PA-28-235, PA-28-236, PA-28R-180, PA-28R-200, PA-28R-201, PA-28R-201T, PA-28RT-201, PA-28RT-201T, PA-30, PA-32-260, PA-32-300, PA-32-301, PA-32-301T, PA-32R-300, PA-32R-301, PA-32R-301T, PA-32RT-300, PA-32RT-300T, PA-34-200, PA-34-200T, PA-36-375, PA-39, PA-44-180, PA-44-180T

No STC's or modifications required for any of the models listed