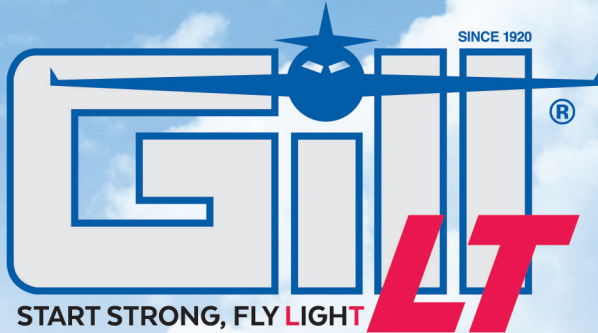


**EXTREME
CRANKING**

7638-44

Sealed Aircraft Battery, VRLA, LT Technology, 24V, 44Ah



SPECIFICATIONS			
Model	7638-44		
Nominal Voltage, V	24		
One Hour Capacity, C1, Ah	44		
30 Minute Emergency Rate, C/2, A	70		
Weight, Lb. Maximum	88.60		
Power Performance	23°C (75°F)	-18°C (0°F)	-30°C (-22°F)
I _{pp} , A	1857	1677	1411
I _{pr} , A	1247	1051	948



7638-44
AVAILABLE NOW,
AT DISTRIBUTORS

Upgrade to the Next Generation of Lead-Acid Technology!

- ✓ TSO Authorized ✓ DO-160E Tested ✓ Sealed, VRLA, Non-Spillable
- ✓ 18 Month/1800 Hour Capacity Check Inspection
- ✓ 2 Year Warranty ✓ FAA-PMA ✓ EASA



TELEDYNE BATTERY PRODUCTS
Everywhere you look™

909.793.3131

GILLBATTERIES.COM

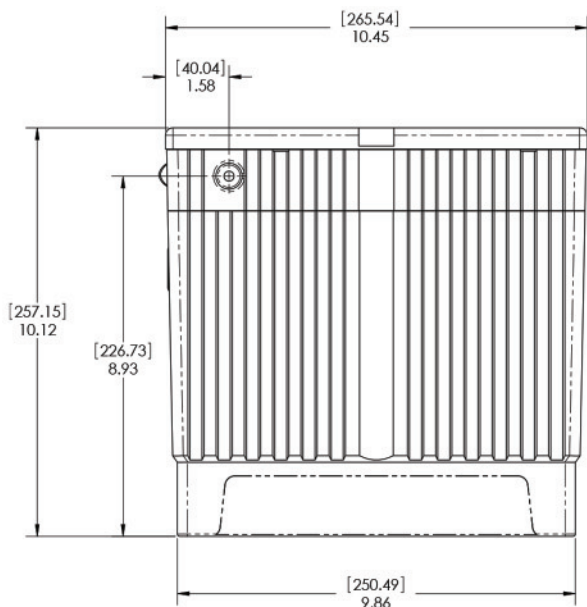
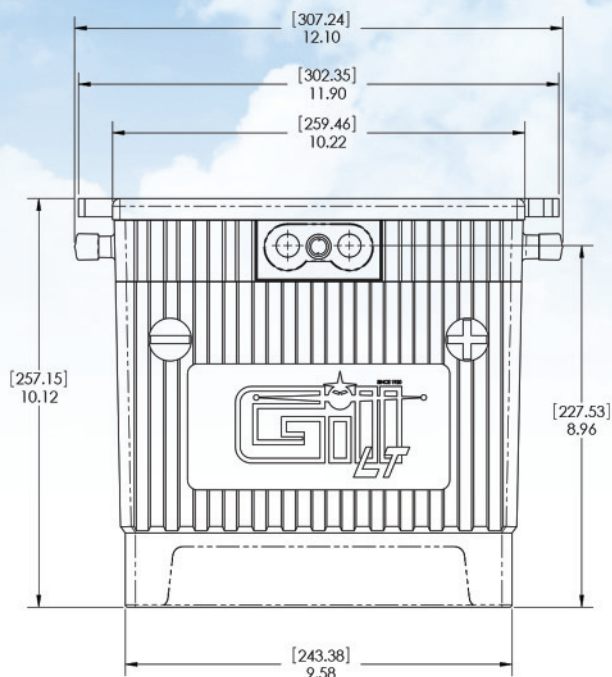
Rev 2020/04/21

**EXTREME
CRANKING**



7638-44

AVAILABLE NOW AT DISTRIBUTORS



FAA-PMA APPROVED

MAKE	MODEL	STC KIT
Airbus Helicopters Deutschland GmbH	EC135 P1, EC135 P2, EC135 P2+, EC135 T1, EC135 T2, EC135 T12+	SR00842DE
	MBB-BK 117C-2 (EC145)	SR00843DE
ATR-GIE	ATR42-200, ATR42-300, ATR42-320, ATR42-500, ATR72-101, ATR72-102, ATR72-201, ATR72-202, ATR72-211, ATR72-212, ATR72-212A	STO2886NY
Leonardo S.p.A. (Formerly Finmeccanica S.p.A.; Agusta Westland S.p.A.; Agusta S.p.A.; Agusta un'azienda di Finmeccanica S.p.A.; Agusta S.p.A., Costruzioni Aeronautiche Giovanni Agusta)	AB139, AW139 (main)	SR00866DE
Bell Textron Inc	204B, 205A, 205A-1	SH2186SO
	212, 412, 412EP	SH1186SO
	205B, 222U	NR
DeHavilland Aircraft of Canada LTD (Formerly Bombardier Inc.)	DHC-8-100, DHC-8-200, DHC-8-300 Series	STO1562NY
Dassault Aviation	Fan Jet Falcon C, D, E, F	SA1215SO
Embraer S A (Formerly Empresa Brasileira)	EMB-110P1, EMB-110P2	SA1167SO
Gulfstream Aerospace Corp.	G-159	SA5525NM
	G-1159	NR
Israel Aircraft Ind. Ltd.	1121, 1121A, 1121B	SA1213SO
	1123, 1124	SA1214SO
Learjet Inc.	23, 24, 24A, 24B, 24B-A, 24C, 24D, 24D-A, 24E, 24F, 24F-A, 25, 25A, 25B, 25C, 25D, 25F, 28, 29, 35, 35A, 36A	STIO33SO
	31, 31A, 55, 55B, 55C, 60	NR
Lockheed Martin Corp.	1329-23A, 1329-23D, 1329-23E	STIO32SO
Mitsubishi Heavy Industries LTD (Formerly Mitsubishi Aircraft Int'l. Inc.)	MU-2B, MU-2B-10, -15, -20, -25, -26, -26A, -30, -35, -36, -36A, -40, -60	SA1042SO
Pilatus Aircraft LTD	PC-12, PC-12/45, PC-12/47, PC-12/47E	SAO0867DE
Piper Aircraft Inc.	PA-31T, PA-31T1, PA-31T2 Series, PA-42, PA-42-720 Series	SA1728SO
Sabreliner Aviation LLC (Formerly Sabreliner Corp.; Rockwell Int'l.; North American Rockwell Corp.)	NA265, NA265-20, -30, -40, -60, -65, -70, -80	STIO31SO
Sikorsky Aircraft Corp	S-76A, S-76C	SR01601NY-D
	S-76B	NR
Daher Aerospace (Formerly Socata)	TBM-700	NR
Textron Aviation, Inc. (Formerly Cessna Aircraft Company)	208, 208A, 208B	STO1117LA
	425	SA2245SO
	500, 501, 550, S550, 551, 560	SA1051SO
	525, 525A	SA01203LA
	650 Series	STO1185LA
	560XL	NR
Textron Aviation, Inc. (Formerly Beech Aircraft Corp.; Raytheon Aircraft Corp.; Hawker Beechcraft Corp.; Beechcraft Corp.)	65-90, 65-A90, 65-A90-4, 65-A90-1 (JU-21A, U-21A, RU-21A, RU-21D, U-21G), 65-A90-4 (RU-21E, RU-21H), B90, C90, C90A, C90GT, C90GTI, E90, 99, A100	SA1017SO
	B100	SA1018SO
	200(A100-1(U-21U)), 200C, 200CT, 200T, A200 (C-12A, C-12C), A200CT (C-12D, FWC-12D, RC-12D, C-12F, RC-12G, RG-12H, RC-12K, RC-12P), B200, B200C (C-12R, UC-12F, UC-12M, C-12FR), B200CT, B200T, 300, 300LW, B300 (350, 350I) B300C (350C)	SA1016SO
	400A S/N #RK-98 and after, Hawker 1000, MU-300-10, 400, 400T	NR
	99A, 100, A99, A99A, A100, A100A	SA894SO
	C90, E90, B99, F90	SA1013SO
	200, 200C, 200CT, 200T, B200, B200C, B200CT, B200T, B200GT, B200CGT, 300, B300 (350, 350I), B300C (350C), 390, C90, C90A, C90GT, E90, 1900	SAO0889DE
Twin Commander Aircraft Formerly Twin Commander Aircraft Corp., Gulfstream Aerospace Corp., Gulfstream American Corp., Rockwell Aero Commander Aircraft	680T, 680V, 680W	SA887SO
	690, 690A	SA1059SO

NR: Not Required



TELEDYNE BATTERY PRODUCTS
Everywhere you look™

909.793.3131

GILLBATTERIES.COM