

24 Volt Dry Charged Batteries for Turbo Prop and Jet Application



G-6381C

- 24 Volts
- 43 AH at the 1 Hour Rate
- 70 Amps 30 Minute Emergency Capacity
- 445 CCA at 0° F for 60 Seconds
- 80 Lbs. (Filled)
- 1.285 SG Electrolyte, 9 Quarts



G-638C

- 24 Volts
- 37 AH at the 1 Hour Rate
- 60 Amps 30 Minute Emergency Capacity
- 375 CCA at 0° F for 60 Seconds
- 73 Lbs. (Filled)
- 1.285 SG Electrolyte, 9 Quarts



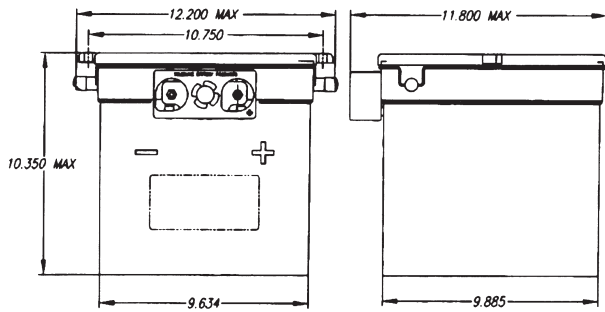
G-639C

- 24 Volts
- 24 AH at the 1 Hour Rate
- 40 Amps 30 Minute Emergency Capacity
- 345 CCA at 0° F for 60 Seconds
- 55 Lbs. (Filled)
- 1.285 SG Electrolyte, 3 Quarts



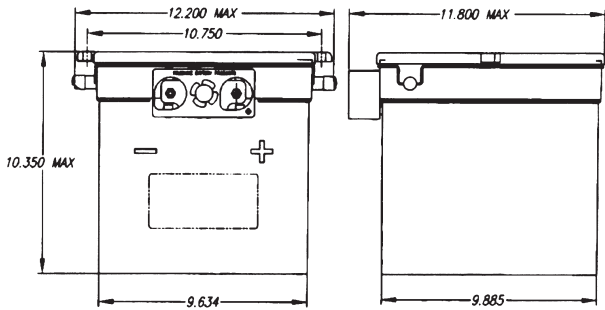
G-640C

- 24 Volts
- 14 AH at the 1 Hour Rate
- 25 Amps 30 Minute Emergency Capacity
- 180 CCA at 0° F for 60 Seconds
- 34 Lbs. (Filled)
- 1.285 SG Electrolyte, 3 Quarts



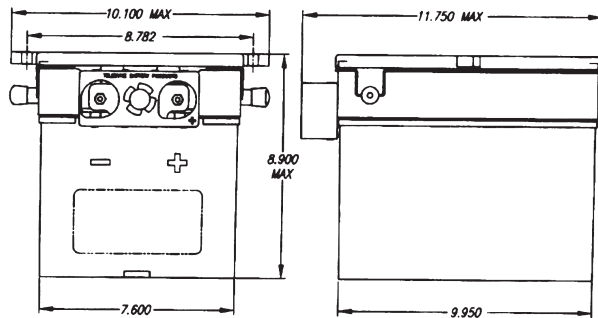
G-6381C

- Avions Marcel Dassault: Fan Jet Falcon Series C, D, E, F
- Beech: 65-90, 65-A90, 99, 99A, A99, A99A, 100, A100, A100A, B90, C90, E90
- Embraer: EMB-110P1, EMB-110P2
- Gates LEARJET INC: 23, 24 Series, 25 Series, 28 Series, 29 Series, 35 Series, 36 Series
- Gulfstream American Corporation: G-159
- Israel Aircraft Industries, Ltd: 1121, 1121A, 1121B, 1123, 1124
- Lockheed-Georgia Company: 1329-23 Series
- Mitsubishi: MU-2B, -10, -15, -20, -25, -26, -26A, -30, -35, -36, -36A, -40, -60
- Rockwell International Corporation: NA-265 Series, Aero Commander 680T, 680V, 680W



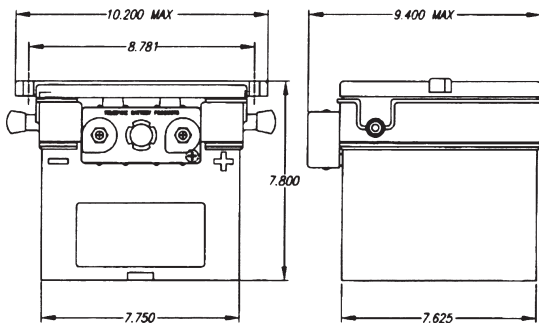
G-638C

- Avions Marcel Dassault: Fan Jet Falcon Series C, D, E, F
- Beech: 65-90, 65-A90, 99, 99A, A99, A99A, 100, A100, A100A, B90, C90, E90
- Embraer: EMB-110P1, EMB-110P2
- Gates LEARJET INC: 23, 24 Series, 25 Series, 28 Series, 29 Series, 35 Series, 36 Series
- Gulfstream American Corporation: G-159
- Israel Aircraft Industries, Ltd: 1121, 1121A, 1121B, 1123, 1124
- Lockheed-Georgia Company: 1329-23 Series
- Mitsubishi: MU-2B, -10, -15, -20, -25, -26, -26A, -30, -35, -36, -36A, -40, -60
- Rockwell International Corporation: NA-265 Series, Aero Commander 680T, 680V, 680W



G-639C

- British Aerospace: DH.125-400A, HS.125-600A, HS.125-700A, BH.125-600A, BAE.125-800A
- Hawker Siddeley, Beechcraft Hawker: DH-125, HS-125, BH-125
- Messerschmidt-Bolkow-Blohm GMBH: BO-105S



G-640C

Contact Teledyne Battery Products for applications



The Original Equipment Aircraft Battery

TELEDYNE
BATTERY PRODUCTS
A Teledyne Technologies Company

840 W. Brockton Ave., Redlands, CA 92374
(800) 456-0070 • (909) 793-3131
Fax: (909) 793-5818

www.gillbatteries.com

G-6381C, G-638C, G-639C,
G-640C