

# Ground Power Batteries



T-1100

4 Volts

1175 CCA at 0° F for 60 Seconds

70 lbs (Dry)

1.285 s.g. electrolyte, 6 quarts

---



T-2200

8 Volts

1175 CCA at 0° F for 60 Seconds

118 lbs (Dry)

1.285 s.g. electrolyte, 11 quarts

---



T-6200

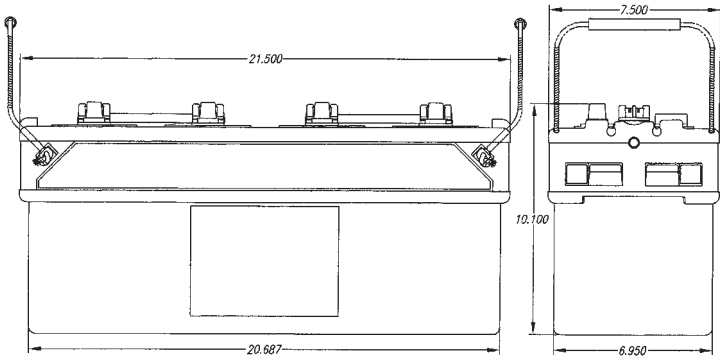
12 Volts

1175 CCA at 0° F for 60 Seconds

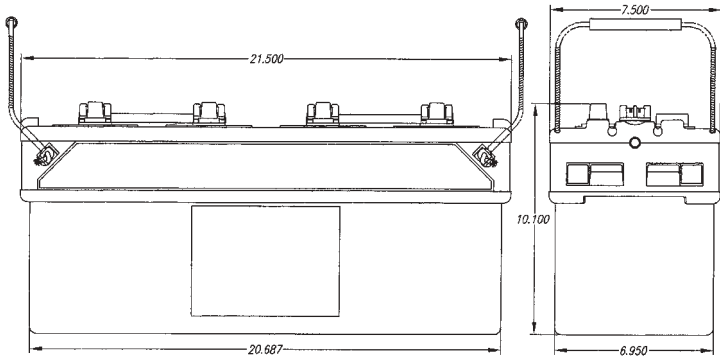
147 lbs (Dry)

1.285 s.g. electrolyte, 18 quarts

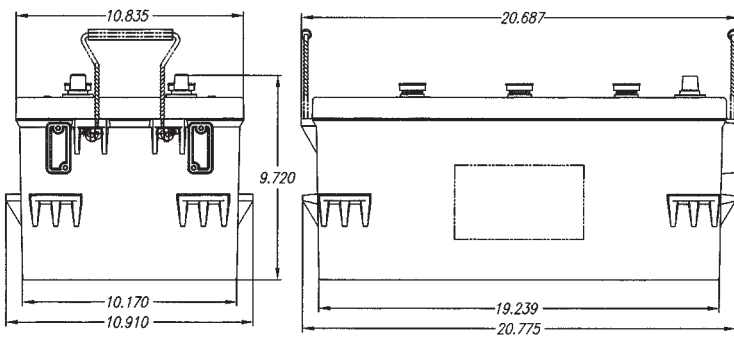
---



T-1100



T-2200



T-6200